

HYDRAULIC Accessory



CONTENTS

Air Breather	03
Oil Gauge	04
Pressure Gauge	05
Gauge Cock	05
Pressure Switch	06
Suction Filter	07
Return Filter	08
Heat Exchanger	09
Heater	10
Thermostat	10
Line Type Burst Valve	11
Line Type Flow Control Valve	12
Line Type Pressure Compensated Throttle Valve	12

CONTENTS

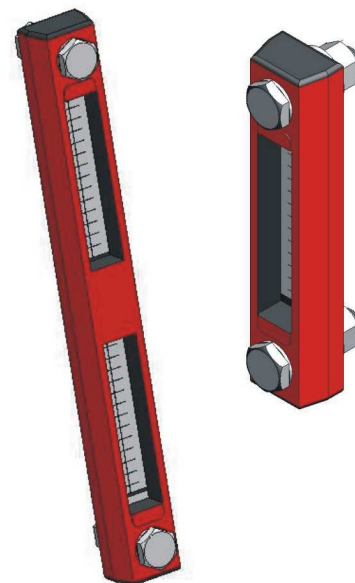
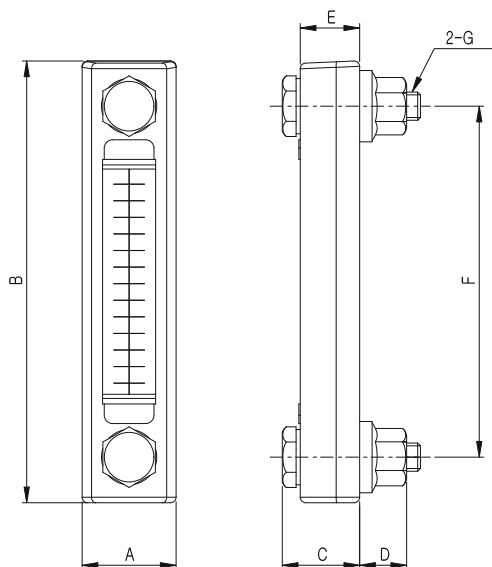
Bell Housing	13
Jaw Coupling	13
Line Check Valve	14
Vibration Resist Rubber	14
Gauge Block	15
Suction Elbow & Pipe	16
Return Pipe	16
Flow Divider	17
Hand Pump	18
Cut / Out Switch	19
Key Switch	19
Lift Valve	20
Solenoid Valve	21
Pendent Controller	22
Radio Remote Controller	23

AIR BREATHER

DESCRIPTION													
	CODE	DIMENSION								Filtration Rating			Displacement
		OUTSIDE					MOUNTING						
		A	B	C	D	E	F	G	H				
AB01	65	46	31	52	48	31	41	M5	40 μ m	270 ℓ /min			
AB03	80	59	51	83	79	51	73	M5	40 μ m	720 ℓ /min			
DESCRIPTION	CODE					DIMENSION					<p>Oil check stick</p>		
	AB04	20	13	-	ϕ 31	PF3/8"							
	AB05	22	15	-	ϕ 42	PF1/2"							
	AB06	19.7	11	-	ϕ 48	PF3/4"							
	AB14	20	13	130	ϕ 31	PF3/8"							
	AB15	22	15	100	ϕ 42	PF1/2"							
	AB16	19.7	11	124	ϕ 48	PF3/4"							
DESCRIPTION	BREATHER PLUG					ADAPTER PLUG							
	CODE					CODE							
	AB20					AB00							

OIL GAUGE

DESCRIPTION

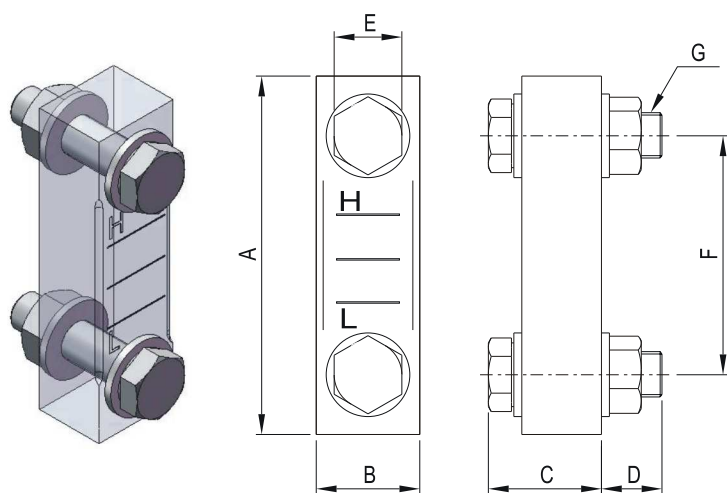


- ▶ Used for checking fluid levels in large tanks.
- ▶ Complete with seals, thermometer, screws and anchor nuts.
- ▶ Avoid contacts with alcohol and toluol.

CODE	DIMENSION							Max. Temperature
	OUTSIDE					MOUNTING		
	A	B	C	D	E	F	G	
G01	34	109	29	11	21.5	76	M10	100°C
G02	34	160	29	16	21.5	127	M12	
G03	34	287	29	16	21.5	254	M12	

DESCRIPTION

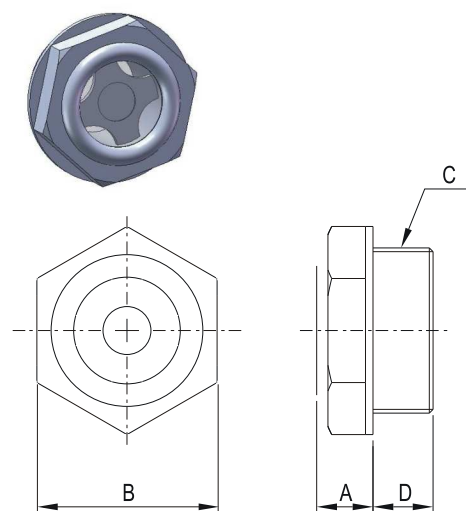
FLUID LEVER GAUGE



※Max. Temperature : 80°C

CODE	DIMENSION						
	OUTSIDE					MOUNTING	
	A	B	C	D	E	F	G
C-50	80	25	28	19	17	50	M10
C-60	90	25	28	19	17	60	M10


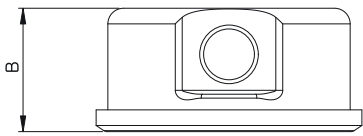
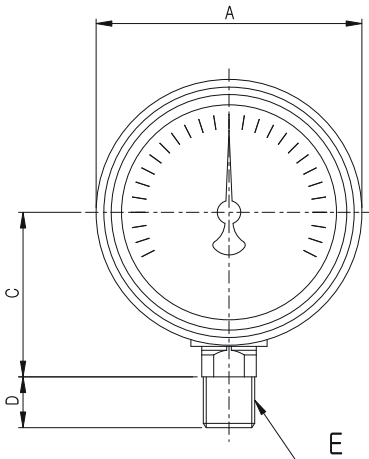
OIL GAUGE




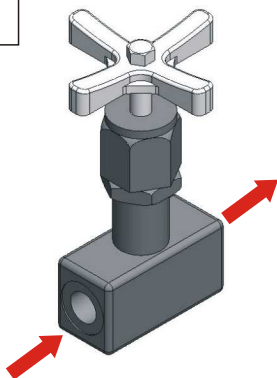
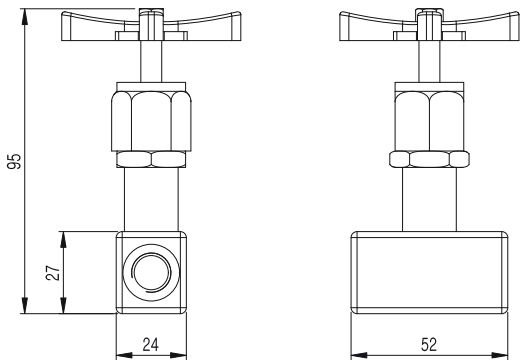
※Max. Temperature : 80°C

CODE	DIMENSION			
	A	B	C	D
C-38	8	φ26	PF1/4"	10
C-12	8	φ26	PF3/8"	10

PRESSURE GAUGE

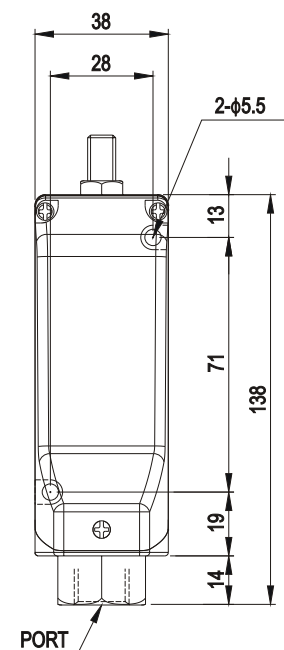
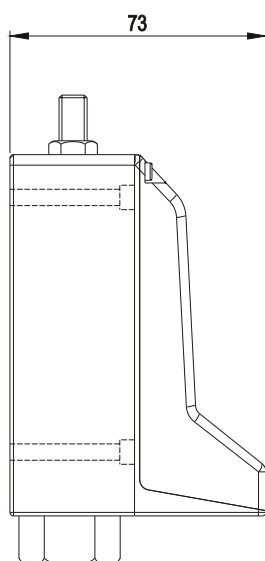
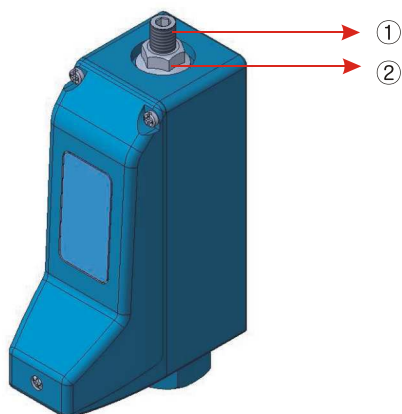
DESCRIPTION	  					<p>Specification</p> <ul style="list-style-type: none"> ○ For measuring points with high dynamic pressure loads or vibrations. ○ For gaseous and liquid media that are not highly viscous or crystallising and will not attack copper alloy parts. ○ Hydraulics. ○ Compressors, shipbuilding. 				
						<p>Feature</p> <ul style="list-style-type: none"> ○ Vibration and shock resistant. ○ Especially sturdy design. ○ Filling liquid : Glycerine 99.7% 				
	CODE	DIMENSION					Max. Pressure (kg·f/cm ²)		Temperature range	Weight (kg)
		OUTSIDE					Standard	Option		
	A	B	C	D	E					
P01	φ63	30	55	12	PT1/4"	250	100 or 400	-40...+60°C	0.21	
P03	φ100	56	87	20	PT1/2"	250	100 or 400	-40...+60°C	0.80	

GAUGE COCK

DESCRIPTION	CODE	SYMBOL				
	GCT02					
	<p>▶ IN, OUT Ports : PT1/4"</p> <p>▶ Working pressure : 210 kg·f/cm²</p>					
						

PRESSURE SWITCH

DESCRIPTION



Specification

- Use CE approved components.
- Excellent display at frequent operation.
- Structure of dust & waterproof.
- Facilitating wire job of using screwless terminal.

A way of control pressure

1. Unscrew the ② fixed nut.
2. Can control it by using ① bolt turn with wrench
C.W - High pressure / C.C.W - Low pressure
3. Once it adjusted, lock the ② fixed nut.

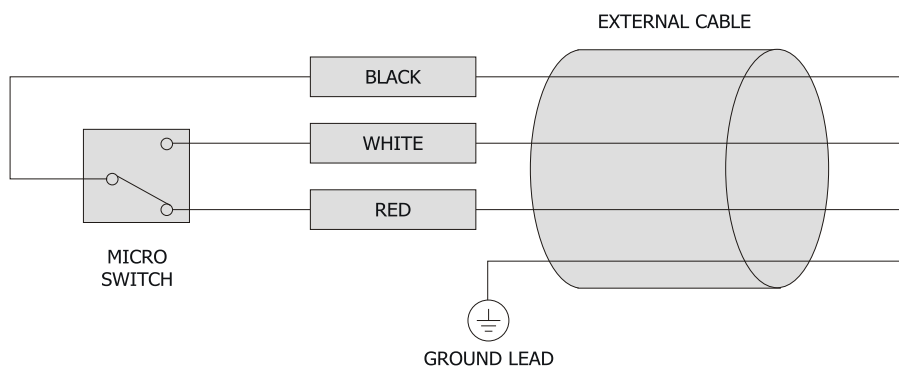
CODE	Pressure range (kg·f/cm ²)	Port	Max. Frequency	Rated current	Temperature range	Weight (kg)
PS16	20~160	PT1/4"	60 times/min	250VAC-3A 125VAC-5A	-30...+80 °C	0.55
PS25	30~250					
PS40	40~400					

WIRING

INCREASE
PRESSURE



DECREASE
PRESSURE



SUCTION FILTER

DESCRIPTION

- ▶ Diffusers are highly effective in reducing aeration.
- ▶ Foaming turbulence and noise caused by return lines.
- ▶ Suitable for all mineral and petroleum based fluids.

※ FILTRATION : 100 Mesh

CODE	OUTSIDE				Ports	Flow rate
	A	B	C	D		
FS01	135	62	30	15	PT1/2"	65 ℓ/min
FS03	155	62	35	15	PT3/4"	65 ℓ/min
FS05	185	85	43	18	PT1"	108 ℓ/min

DESCRIPTION

※ FILTRATION : 100 Mesh

CODE	DIMENSION			Ports
	A	B	C	
SF1	φ43	20	22	PF3/8"
SF2	φ63	23	22	
SF3	φ80	27	22	

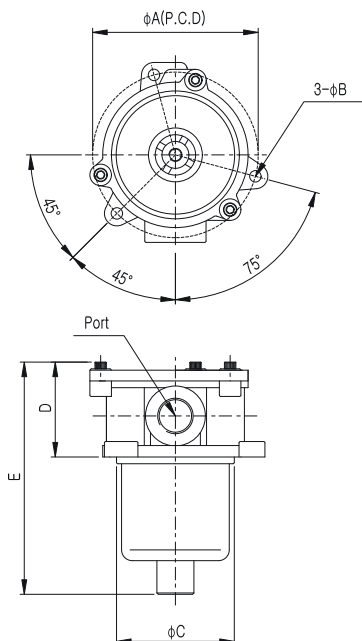
※ FILTRATION : 100 Mesh

Note. Please contact Hydro-Tek for 200 Mesh.

RETURN FILTER

Specification

- Easy assemble at upper tank.
- Facilitating element exchange by upper flange detachable.
- It is safety by built-in by-pass at element.

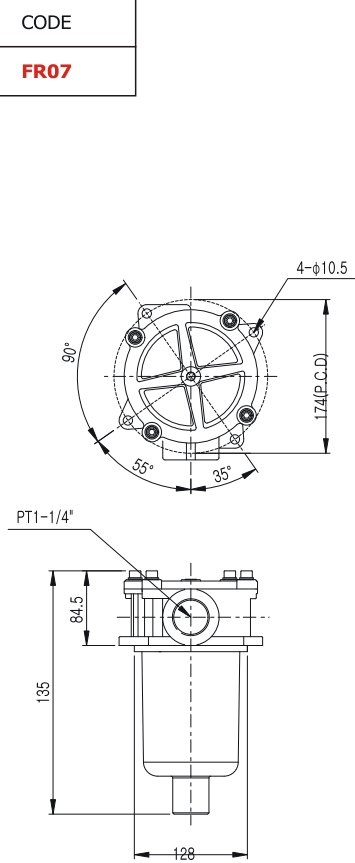
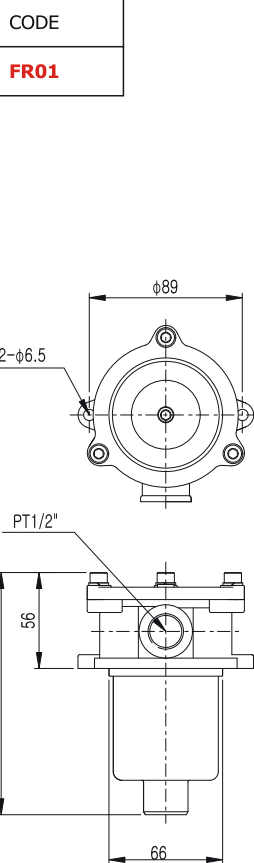


- ▶ Max. Working pressure : 3 kg-f/cm²
- ▶ Filtration rating : 25 μ m
- ▶ By-pass working pressure : 1.5 kg-f/cm²
- ▶ Element exchange pressure : 1.3 kg-f/cm²

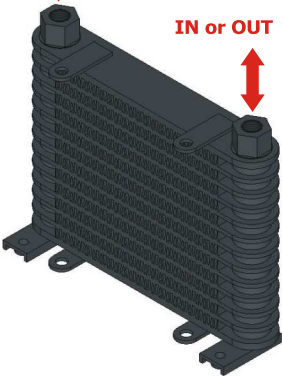
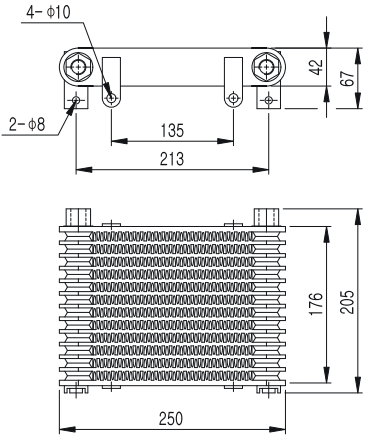
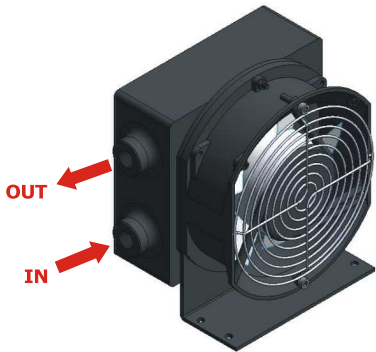
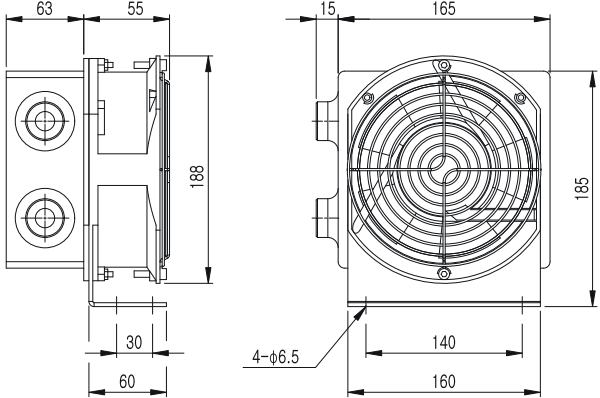
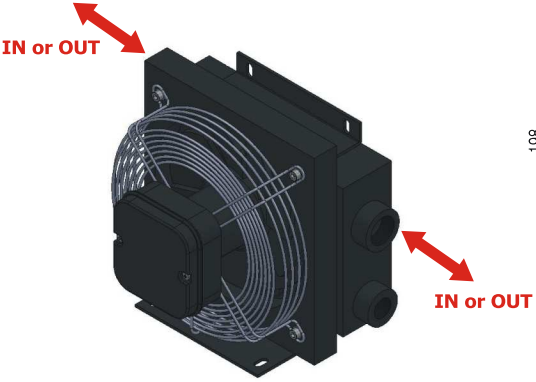
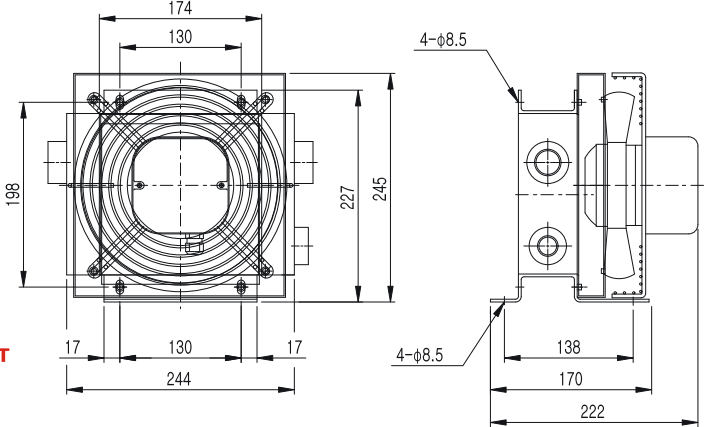
DESCRIPTION

CODE	OUTSIDE					Ports	Flow rate
	A	B	C	D	E		
FR03	123	8.5	88	30.5	70.5	PF3/4"	40 ℓ/min
FR05						PF1"	95 ℓ/min

DESCRIPTION

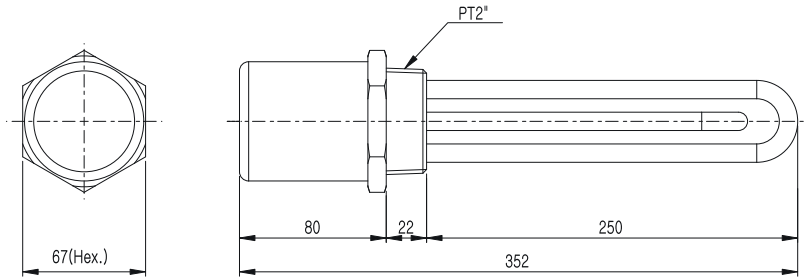


HEAT EXCHANGER

DESCRIPTION	CODE	<p>CX01</p> <p>IN or OUT ※ IN, OUT ports : PT1/2" ▶ Without Fan</p> <p>IN or OUT</p> 	
	CX01		
	CODE	<p>CS01</p> <p>※ IN, OUT ports : PT3/8" ※ IN, OUT ports : PT1/2"</p> 	
CODE	<p>CS03</p> <p>※ IN, OUT ports : PT1"</p> 		

DESCRIPTION	CODE	Voltage	Oil Flow (Max.)	Capacity	Working Pressure (Max.)	Noise Level (Max.)	Weight (kg)
	CX01	220V	15 ℓ/min	-	15kg·f/cm ²	60dB(A)	2.8
	CS01	220V	40 ℓ/min	33W	15kg·f/cm ²	60dB(A)	3
	CS03	220V	100 ℓ/min	67W	15kg·f/cm ²	60dB(A)	7.8

HEATER



DESCRIPTION

CODE	Phase	Voltage	Power
H01	1Φ	220V	1Kw
H02			2Kw
H03			3Kw

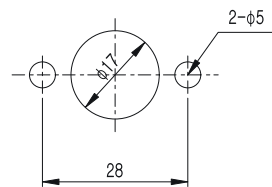
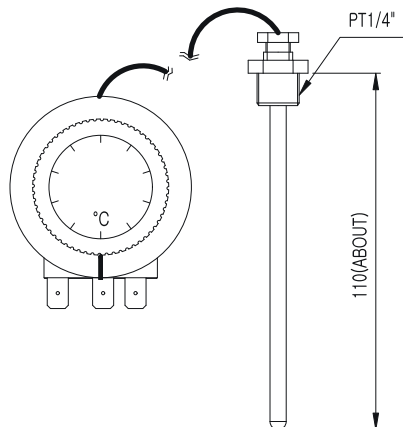
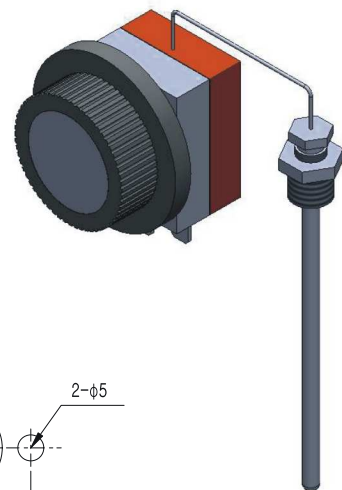
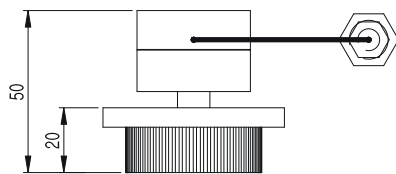
Note.

1. Please contact Hydro-Tek for your special specification and custom design.
2. For both single & three phase, standard produces are wired with single phase. When you use three phase, need to change the wiring.

THERMOSTAT

CODE

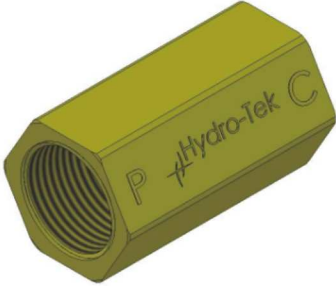
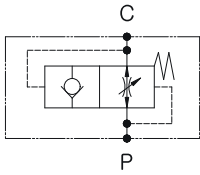
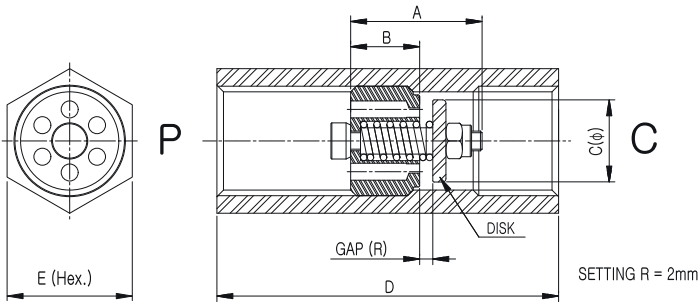
TS01



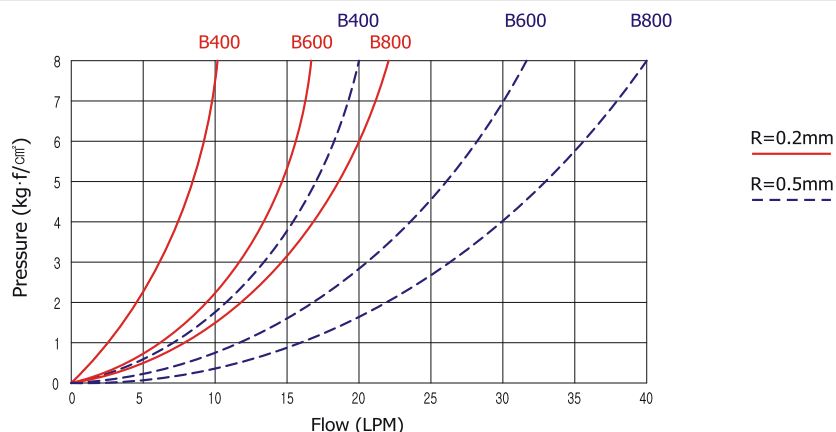
MOUNTING DIMENSION

DESCRIPTION

LINE TYPE BURST VALVE

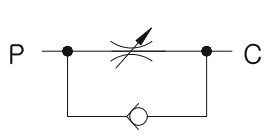
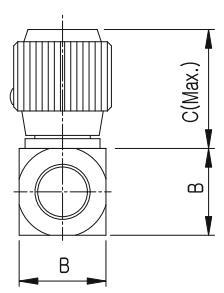
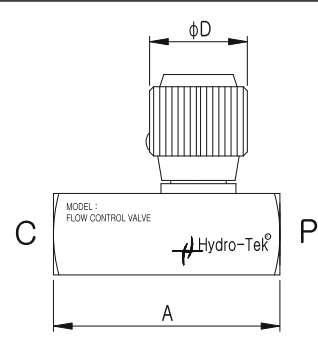


DESCRIPTION	SYMBOL						Specification				
							<p>○ These valves can block flow when the lowering speed exceeds preset value as it might happen in case of hose failure. They should ideally be screwed directly into the actuator outlet port. Sealing parts are superfinished and enable to lock the load in the position where the actuator is in the moment of hose failure.</p>				
			Operation								
					<p>○ These valves can be supplied, in request, with an orifice on the disc, allowing an emergency lowering of the load. It is recommended to fit a flow regulator valve downstream the hose burst valve, at the end of flexible hose, to control the lowering speed at the nominal value.</p>						
	CODE	DIMENSION						Working Pressure (Max.)	Flow (Min.)	Flow (Max.)	
		OUTSIDE					PORT				
		A	B	C	D	E	P	C			
	B400	17.5	8	9.5	50	19	PF1/4"		350 kg-f/cm ²	4 l/min	25 l/min
	B600	23	10.5	12.5	52	22	PF3/8"			6 l/min	50 l/min
	B800	25	12	15	60	27	PF1/2"			16 l/min	80 l/min

PERFORMANCE CURVE

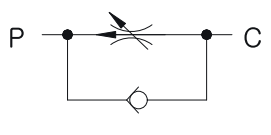
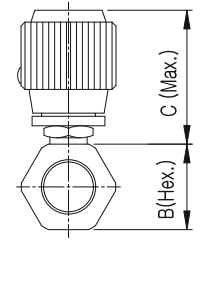
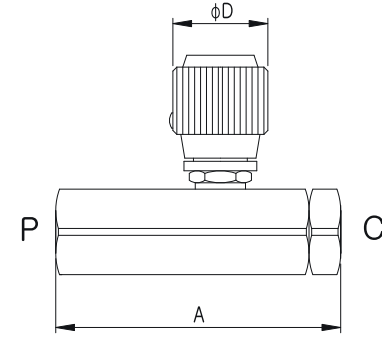

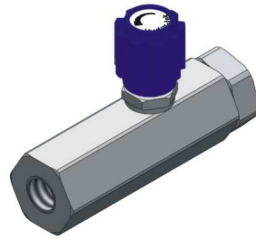


Note. When we release it 'R' is set to as next.
Please re-set it as your application requires. (B400=2mm, B600=2.5mm, B800=3mm)

LINE TYPE FLOW CONTROL VALVE

DESCRIPTION	SYMBOL									
										
										
	CODE	DIMENSION				Working Pressure (Max.)		Flow (Max.)		
	OUTSIDE				PORT					
	A	B	C	D	P	C				
F400	65	20	32	24	PT1/4"		350 kg-f/cm ²		25 l/min	
F600	70	25	41	24	PT3/8"				55 l/min	
F800	87	32	44	30	PT1/2"				110 l/min	

LINE TYPE PRESSURE COMPENSATED ADJUSTABLE THROTTLE VALVE

DESCRIPTION	SYMBOL									
										
										
	CODE	DIMENSION				Working Pressure (Max.)		Flow (Max.)		
	OUTSIDE				PORT					
	A	B	C	D	P	C				
P400	90	27	38	24	PT1/4"		350 kg-f/cm ²		10 l/min	
P600	90	27	38	24	PT3/8"				18 l/min	
P800	108	36	36	24	PT1/2"				33 l/min	

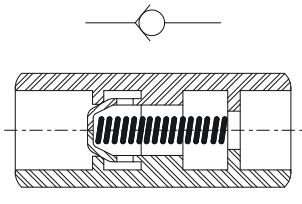
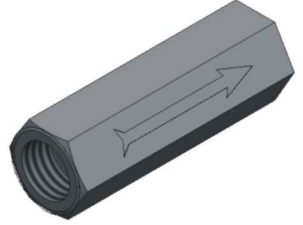
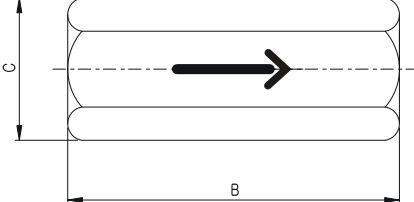
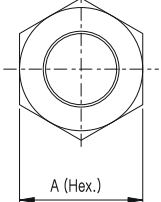
BELL HOUSING

DESCRIPTION													
	CODE		DIMENSION								MOUNTING		
	BG-TYPE	BV-TYPE	A	B	C	D	E	F	G	H	I	J	K
	BG090	BV090	130	165	210	82.55	136	16	100	11	M10	106	M10
	BG112	BV112	180	215	250	82.55	190	21	120	14	M12	106	M10
BG132	Bv132	230	265	300	82.55	234	21	156	14	M12	106	M10	

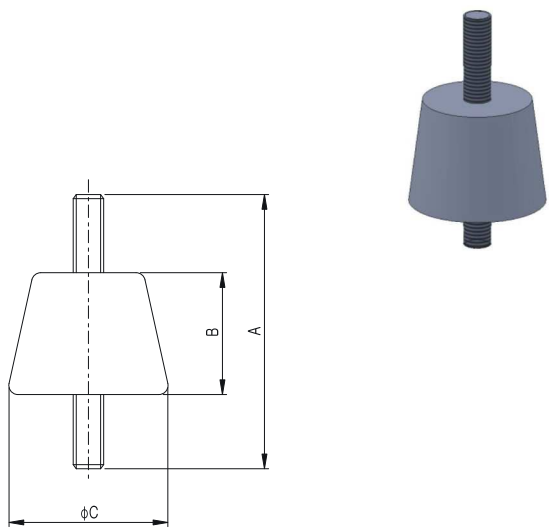
JAW COUPLING

DESCRIPTION	JAW COUPLING (for Big Power Unit)											
	CODE				DIMENSION							
	OPTION		PUMP		COMMON	FRAME						
	MOTOR	URETHANE	G2-Type	V2-Type		OUTSIDE			KEY			
MC	RB	G2	V2	90	A	B	C	D	E	F	G	H
				090	47	14	25.5	42	54.2	24	27.5	8
				112	56	15	23.6	50	64.2	26	31.3	8
				132	80.3	18	22.8	68	79.3	38	41.5	8

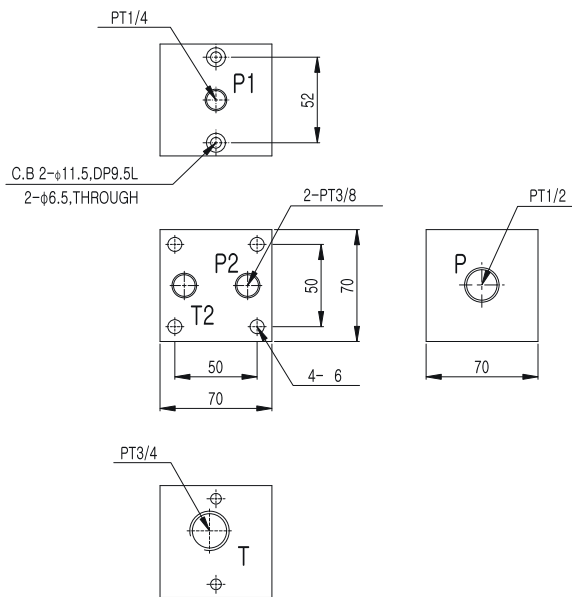
LINE CHECK VALVE

DESCRIPTION	SYMBOL						
							
							
	CODE	DIMENSION				Max. Pressure	Cracking Pressure
	A	B	C	PORT			
C400	71	23	26	PT3/8"	210 kg-f/cm ²	0.4 kg-f/cm ²	30 ℓ/min
C600	80	29	33	PT1/2"	210 kg-f/cm ²	0.4 kg-f/cm ²	45 ℓ/min
C800	93	35	40	PT3/4"	210 kg-f/cm ²	0.4 kg-f/cm ²	75 ℓ/min

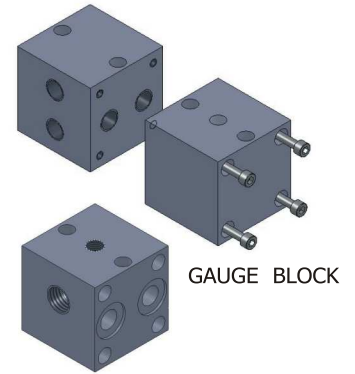
VIBRATION RESIST RUBBER

DESCRIPTION			<p style="text-align: center;">Specification</p> <ul style="list-style-type: none"> ○ Motor vibration resist rubber aids operations by reducing motor noise and vibration. ○ Material : Natural rubber (Black) S10C (Zinc plate) 					
	CODE	DIMENSION						
		A	B	C	PORT			
	VR10	90	40	50	M10			
VR12	100	42	60	M12				

GAUGE BLOCK



1PORT
MANIFOLD BLOCK

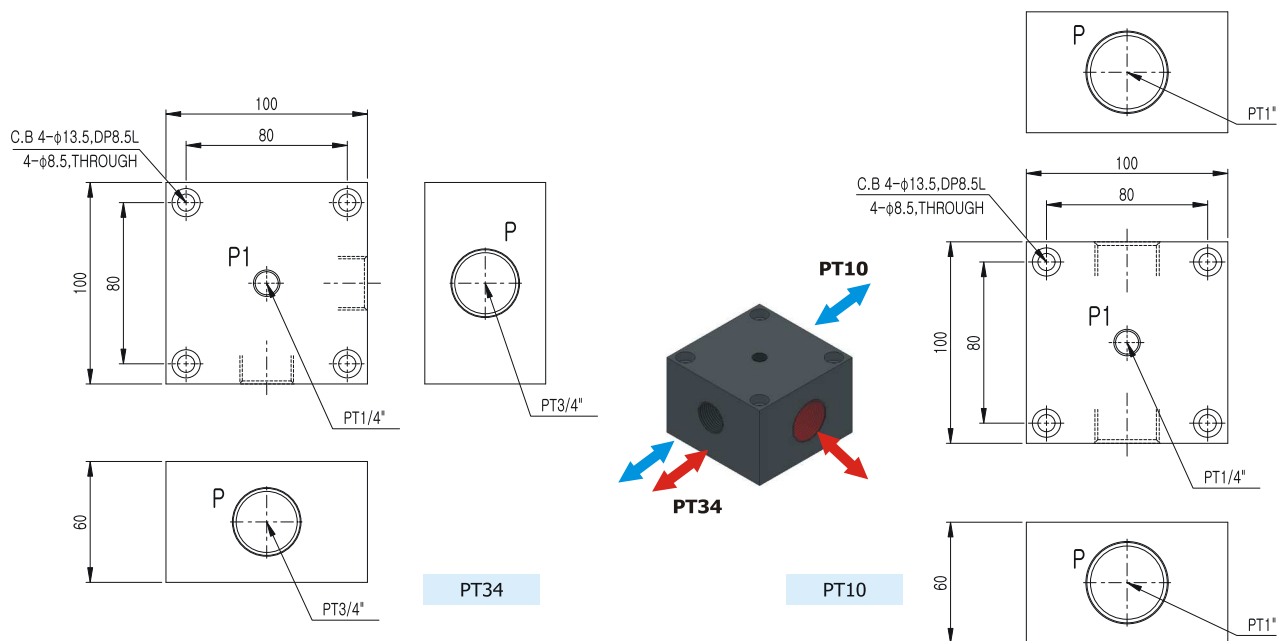


GAUGE BLOCK

Assembly with gauge block & manifold block.

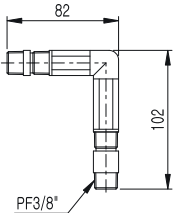
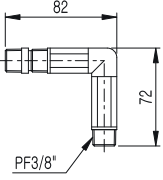
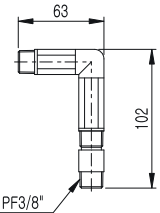
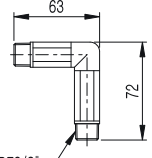
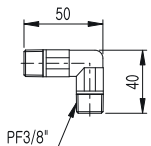
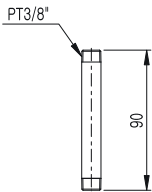
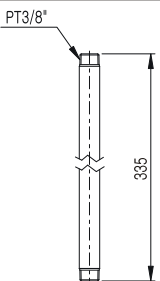
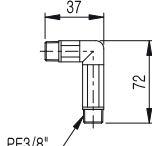
DESCRIPTION

CODE	CIRCUIT	Specification	Max. Pressure	Max. Flow
PT14		<ul style="list-style-type: none"> ▶ Pressure : 350 kg·f/cm² ▶ Color : Black ▶ Mounting : 4-M6 Bolt 	350 kg·f/cm ²	60 l/min

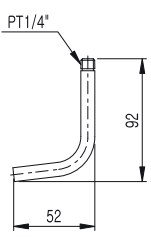
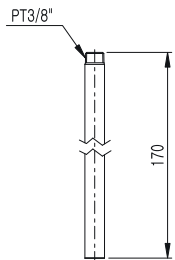
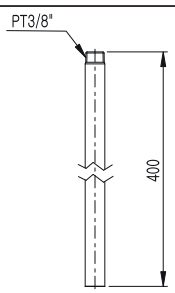


CODE	CIRCUIT	Specification	Max. Pressure	Max. Flow
PT34		<ul style="list-style-type: none"> ▶ Pressure : 350 kg·f/cm² ▶ Color : Black ▶ Mounting : 4-M8 Bolt 	350 kg·f/cm ²	60 l/min
PT10				

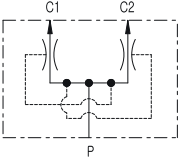
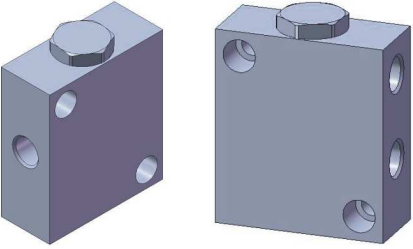
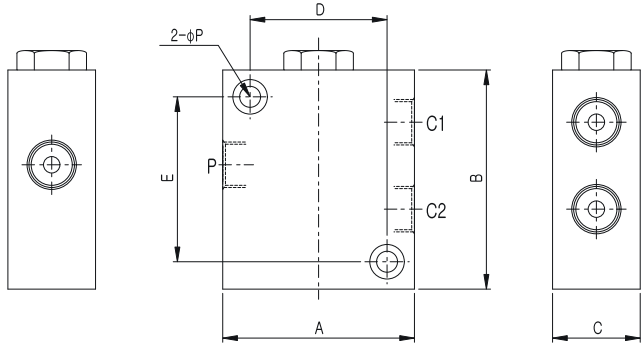
SUCTION ELBOW & PIPE

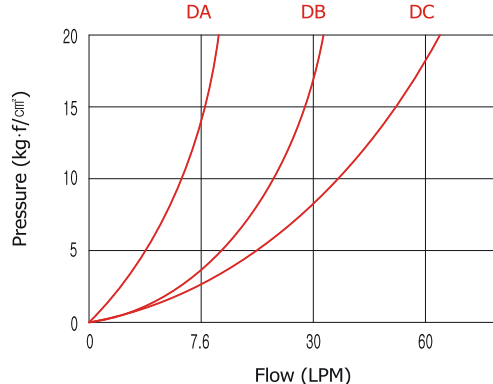
DESCRIPTION	CODE			
	SP1	SP2	SP3	SP4
 <p>**Material : Plastic</p>	 <p>**Material : Plastic</p>	 <p>**Material : Plastic</p>	 <p>**Material : Plastic</p>	
 <p>**Material : Plastic</p>	 <p>**Material : Plastic</p>	 <p>**Material : Plastic</p>	 <p>**Material : Plastic</p>	
<p>Special Order</p> <ul style="list-style-type: none"> ▶ The length of suction pipe depend on customer's request. (Only for straight type pipe) 				<p>SP □ □ □</p> <p>↑ length (unit : mm)</p> <p>ex. Suction pipe 90mm : SP090</p>

RETURN PIPE

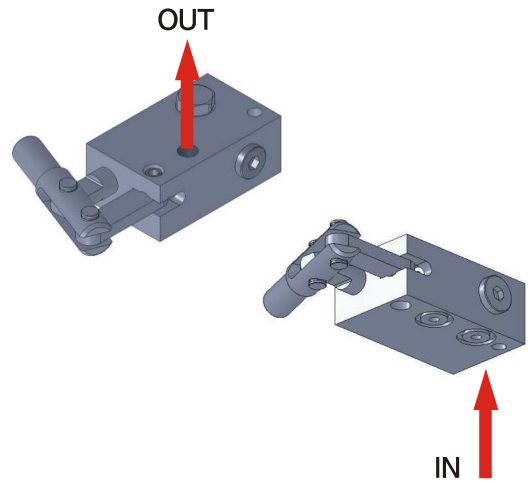
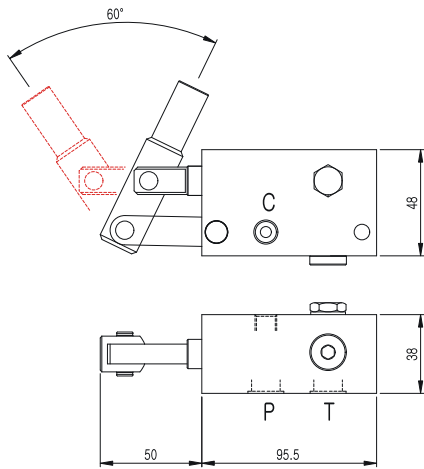
DESCRIPTION	CODE		
	RP1	RP2	RP3
 <p>**Material : Steel</p>	 <p>**Material : Steel</p>	 <p>**Material : Steel</p>	
<p>Special Order</p> <ul style="list-style-type: none"> ▶ The length of return pipe depend on customer's request. (Only for straight type pipe) 			<p>RP □ □ □</p> <p>↑ length (unit : mm)</p> <p>ex. Suction pipe 130mm : RP090</p>

FLOW DIVIDER

DESCRIPTION	SYMBOL	Specification																																																				
		<p>○ A screw-in, cartridge-style, spool-type flow divider/combiner. Optional flow dividing/combining ratios are maintained regardless of system operating pressure conditions.</p>																																																				
		Operation																																																				
		<p>○ In the dividing mode, this valve will divert input flow from port ③ to ports ② and ④, based on the ratio specified, regardless of operating pressure. The cartridge will combine input flows from ports ② or ④. Should circuit operation result in a blockage of either ② or ④, the opposite port may also close under certain conditions. Should this potential exist, consult the factory.</p>																																																				
	<table border="1"> <thead> <tr> <th rowspan="3">CODE</th> <th colspan="7">DIMENSION</th> <th rowspan="3">Working Pressure (Max.)</th> <th rowspan="3">Flow (Min.)</th> <th rowspan="3">RATIO</th> </tr> <tr> <th colspan="5">OUTSIDE</th> <th colspan="2">PORT</th> </tr> <tr> <th>A</th> <th>B</th> <th>C</th> <th>D</th> <th>E</th> <th>P</th> <th>C</th> </tr> </thead> <tbody> <tr> <td>DA</td> <td rowspan="2">65</td> <td rowspan="2">80</td> <td rowspan="2">30</td> <td rowspan="2">50</td> <td rowspan="2">60</td> <td rowspan="2">8.5</td> <td>PF1/4"</td> <td rowspan="3">240 kg-f/cm²</td> <td>7.6 l/min</td> <td>50 : 50</td> </tr> <tr> <td>DB</td> <td>PF3/8"</td> <td>30 l/min</td> <td>50 : 50</td> </tr> <tr> <td>DC</td> <td>105</td> <td>127</td> <td>50</td> <td>82</td> <td>107</td> <td>8.5</td> <td>PF1/2"</td> <td>60 l/min</td> <td>50 : 50</td> </tr> </tbody> </table>	CODE	DIMENSION							Working Pressure (Max.)	Flow (Min.)	RATIO	OUTSIDE					PORT		A	B	C	D	E	P	C	DA	65	80	30	50	60	8.5	PF1/4"	240 kg-f/cm ²	7.6 l/min	50 : 50	DB	PF3/8"	30 l/min	50 : 50	DC	105	127	50	82	107	8.5	PF1/2"	60 l/min	50 : 50			
CODE	DIMENSION							Working Pressure (Max.)	Flow (Min.)				RATIO																																									
	OUTSIDE					PORT																																																
	A	B	C	D	E	P	C																																															
DA	65	80	30	50	60	8.5	PF1/4"	240 kg-f/cm ²	7.6 l/min	50 : 50																																												
DB							PF3/8"		30 l/min	50 : 50																																												
DC	105	127	50	82	107	8.5	PF1/2"		60 l/min	50 : 50																																												

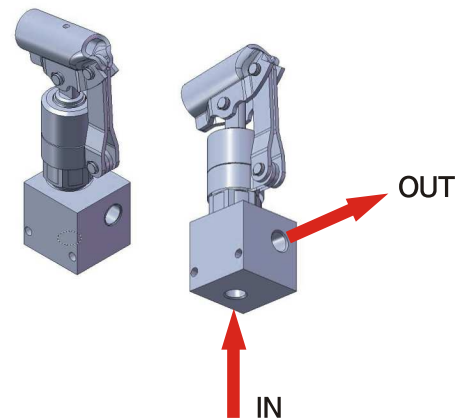
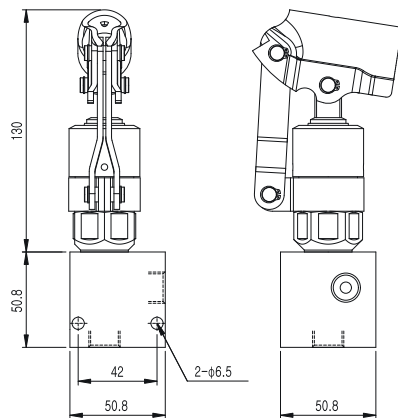
PERFORMANCE CURVE	
--------------------------	--

HAND PUMP



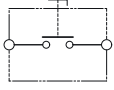
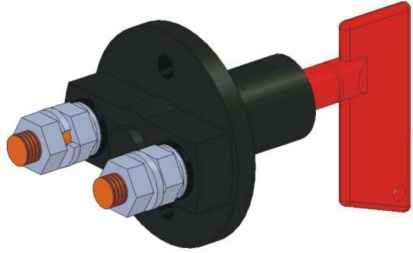
DESCRIPTION

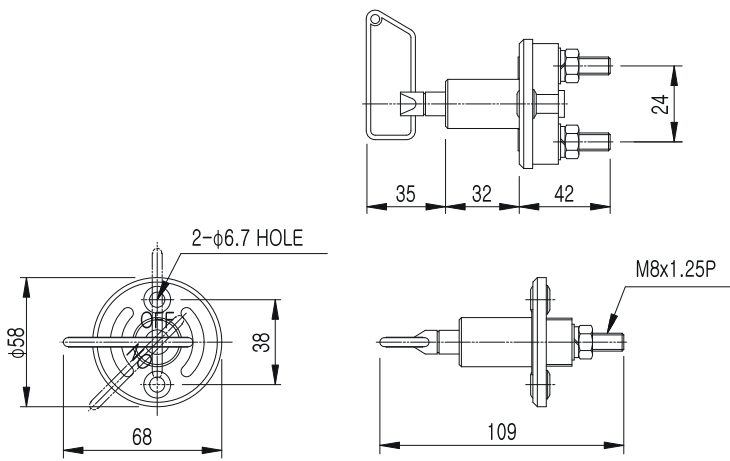
CODE	CIRCUIT	Specification	Max. Pressure	Max. Flow
HP		Handle beam rotates 60°	207 kg-f/cm ²	6cc per stroke



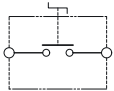

CODE	CIRCUIT	Specification	Max. Pressure	Max. Flow
KP		<ul style="list-style-type: none"> ▶ Handle beam rotates 360° ▶ Hardened parts for long life ▶ Heavy duty construction 	207 kg-f/cm ²	8.2cc per stroke

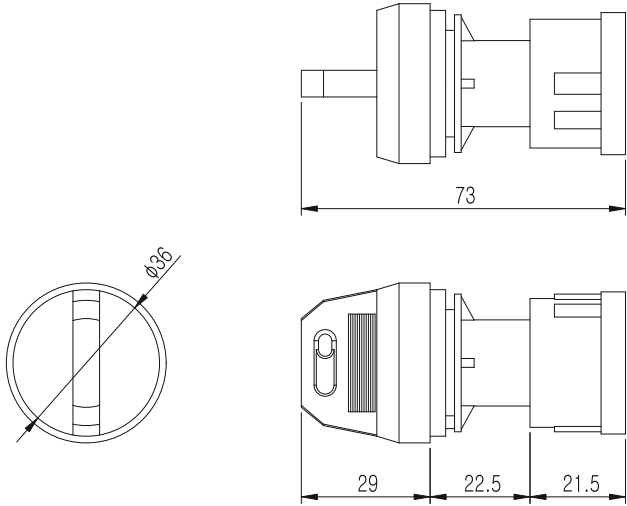
CUT/OUT SWITCH

DESCRIPTION	CODE		
	SW1		



KEY SWITCH

DESCRIPTION	CODE		
	SW2		


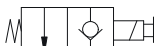



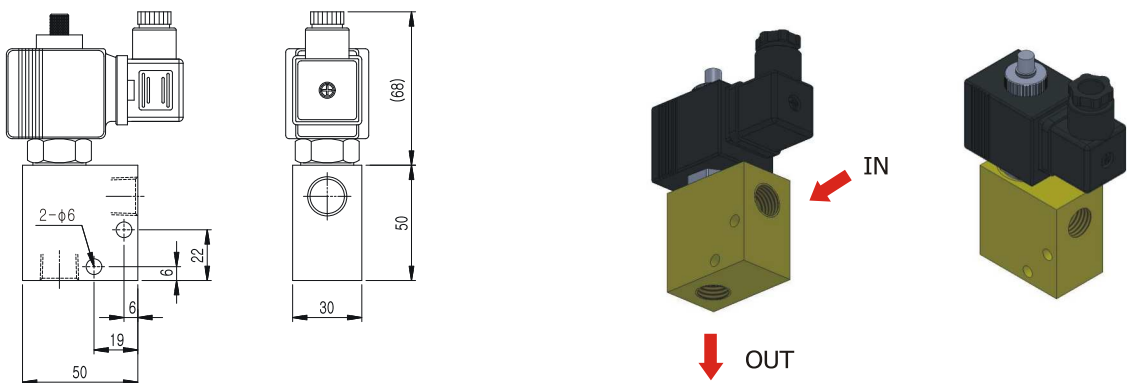
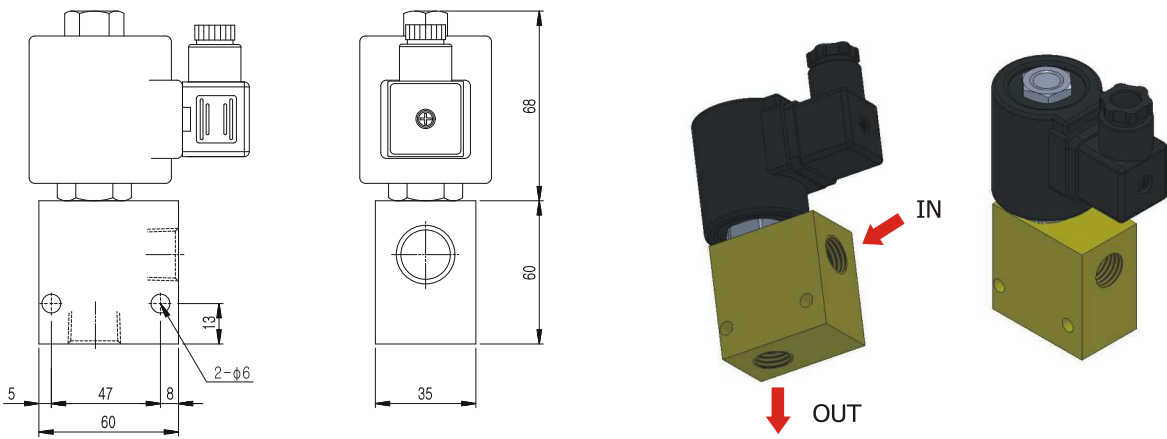
LIFT VALVE

CODE	DIAGRAM	VOLTAGE		CAVITY		COIL	
LC		1	DC 12V	1	09	DN	Din connector
		2	DC 24V			DS	Dual spades
LO		3	AC 110V	3	10	DR	Integral deutsche connector
		4	AC 220V			XX	Without coil
		5	AC 110V RAC				
LD		6	AC 220V RAC				
		7	AC 24V				

DESCRIPTION	Cavity	Pressure (Max.)	Flow (Max.)	Port					
				P	T	P1	C		
	9	207 kg·f/cm ²	40 l/min	PF3/8"	PT3/8"	PT3/8"	PT3/8"		
DESCRIPTION	Cavity	Pressure (Max.)	Flow (Max.)	Port					
				P	T1	P2	P3	C	T
10	350 kg·f/cm ²	68 l/min	PT1/2"	PT3/4"	PF1/4"	PF1/4"	PT1/2"	PT1/2"	

SOLENOID VALVE

CODE	DIAGRAM	VOLTAGE		CAVITY		COIL	
VC		1	DC 12V	1	09	DN	Din connector
		2	DC 24V			DS	Dual spades
VO		3	AC 110V	3	10	DR	Integral deutsche connector
		4	AC 220V			XX	Without coil
		5	AC 110V RAC				
VD		6	AC 220V RAC				
		7	AC 24V				

DESCRIPTION	Cavity	Pressure (Max.)	Flow (Max.)	Port	
				In	Out
		9	207 kg·f/cm ²	40 l/min	PT3/8"
	10	350 kg·f/cm ²	68 l/min	PT1/2"	PT1/2"

PENDENT CONTROLLER

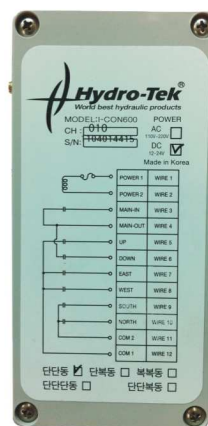
CODE	QUANTITY OF BUTTONS		CYLINDER		CABLE		LENGTH OF CABLE		EMERGENCY	
H2	2ea	S1	One single acting	G	General cable	1	UNIT : M	E	With emergency	
										2
H4	4ea	S2	Two single acting	S	Sprial cable	3	X	Without emergency		
						4				
H6	6ea	SD	One single & One double acting	X	Without cable	5	X	Without emergency		
H8	8ea	D1	One double acting			6				
H6	6ea	D2	Two double acting	X	Without cable	7	X	Without emergency		
H0	10ea	SS	Special			8				
						9				

SPECIFICATION							
	Rating	Rating	Insulation Resistance	Dielectric Strength	Temperature Range	Humidity Range	Protection Structure
	6A 250V AC	AgSnO2	100Mo (Min.)	1,500 AC (Min.)	-15 ~ +45 °C	45 ~ 85% RH	IP 65

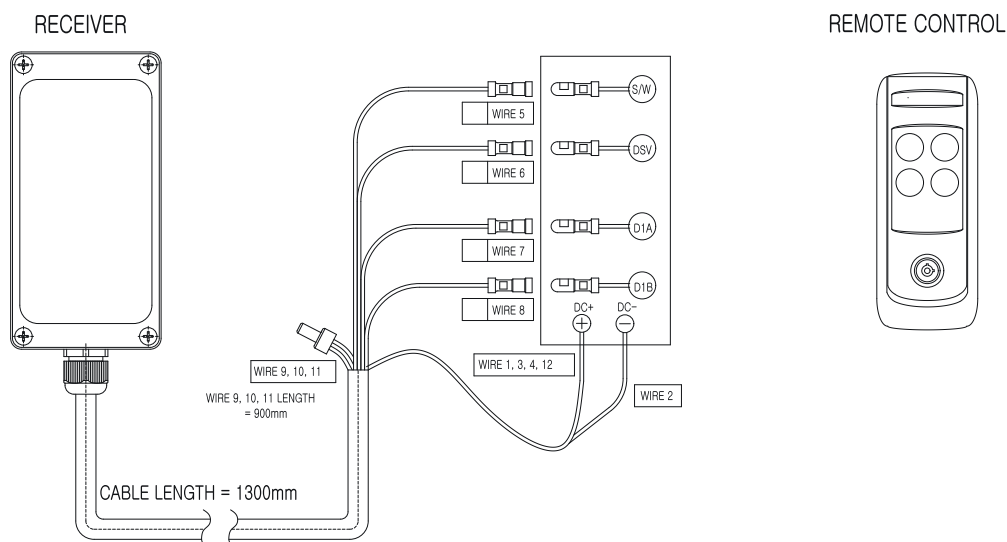
PUSH BUTTON	ENGLISH	
	KOREAN	
	SYMBOL	

RADIO REMOTE CONTROLLER

CODE	QUANTITY OF BUTTONS		CYLINDER		
R2	2ea	S1	One single acting	D1	One double acting
R4	4ea	S2	Two single acting	D2	Two double acting
R6	6ea	SD	One single & One double acting	SS	Special



SPECIFICATION



Dimension	Material	Frequency	Temperature	Rated Voltage	Ampere	Output
140x58x30	ABS	447.6 ~ 447.98 Mhz	-10 ~ 60 °C	DC 3.7V	0.85 VA	1.9 VA